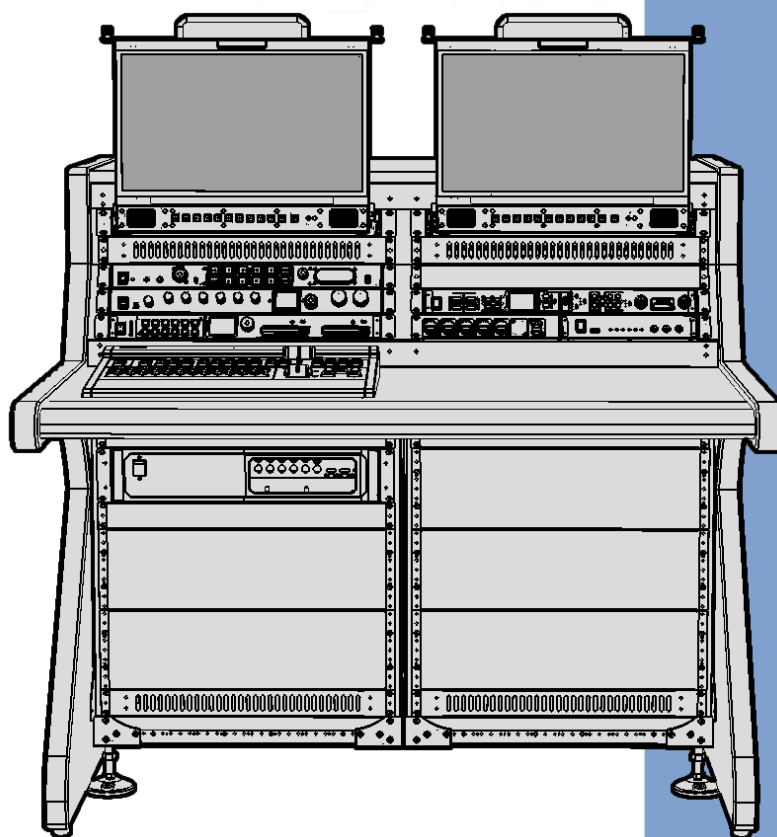


datavideo



HD 12-CHANNEL
OB VAN STUDIO

OBV-3200

Instruction Manual

www.datavideo.com

Table of Contents

FCC COMPLIANCE STATEMENT	3
WARNINGS AND PRECAUTIONS	3
WARRANTY	4
STANDARD WARRANTY	4
THREE YEAR WARRANTY.....	4
DISPOSAL	5
1. INTRODUCTION	6
2. SYSTEM DIAGRAM	7
3. OUTDOOR BROADCAST VAN ASSEMBLY	8
I. SECURING THE SCREWS	8
II. LEFT SUPPORT STAND.....	8
III. AFFIXING THE LEFT SUPPORT STAND.....	9
IV. RIGHT SUPPORT STAND	9
V. AFFIXING THE RIGHT SUPPORT STAND	10
VI. MOUNTING THE DESKTOP.....	10
VII. INSERTING THE CONTROL KEYBOARD	11
VIII. INTO THE VAN	11
4. FRONT VIEW	12
5. REAR VIEW	13
6. DESKTOP	14
7. CABLE REEL	15
SERVICE AND SUPPORT	17

Disclaimer of Product & Services

The information offered in this instruction manual is intended as a guide only. At all times, Datavideo Technologies will try to give correct, complete and suitable information. However, Datavideo Technologies cannot exclude that some information in this manual, from time to time, may not be correct or may be incomplete. This manual may contain typing errors, omissions or incorrect information. Datavideo Technologies always recommend that you double check the information in this document for accuracy before making any purchase decision or using the product. Datavideo Technologies is not responsible for any omissions or errors, or for any subsequent loss or damage caused by using the information contained within this manual. Further advice on the content of this manual or on the product can be obtained by contacting your local Datavideo Office or dealer.

FCC Compliance Statement

This device complies with part 15 of the FCC rules. Operation is subject to the following two conditions:

1. This device may not cause harmful interference, and
2. This device must accept any interference received, including interference that may cause undesired operation.

Warnings and Precautions



1. Read all of these warnings and save them for later reference.
2. Follow all warnings and instructions marked on this unit.
3. Unplug this unit from the wall outlet before cleaning. Do not use liquid or aerosol cleaners. Use a damp cloth for cleaning.
4. Do not use this unit in or near water.
5. Do not place this unit on an unstable cart, stand, or table. The unit may fall, causing serious damage.
6. Slots and openings on the cabinet top, back, and bottom are provided for ventilation. To ensure safe and reliable operation of this unit, and to protect it from overheating, do not block or cover these openings. Do not place this unit on a bed, sofa, rug, or similar surface, as the ventilation openings on the bottom of the cabinet will be blocked. This unit should never be placed near or over a heat register or radiator. This unit should not be placed in a built-in installation unless proper ventilation is provided.
7. This product should only be operated from the type of power source indicated on the marking label of the AC adapter. If you are not sure of the type of power available, consult your Datavideo dealer or your local power company.
8. Do not allow anything to rest on the power cord. Do not locate this unit where the power cord will be walked on, rolled over, or otherwise stressed.
9. If an extension cord must be used with this unit, make sure that the total of the ampere ratings on the products plugged into the extension cord do not exceed the extension cord rating.
10. Make sure that the total amperes of all the units that are plugged into a single wall outlet do not exceed 15 amperes.
11. Never push objects of any kind into this unit through the cabinet ventilation slots, as they may touch dangerous voltage points or short out parts that could result in risk of fire or electric shock. Never spill liquid of any kind onto or into this unit.
12. Except as specifically explained elsewhere in this manual, do not attempt to service this product yourself. Opening or removing covers that are marked "Do Not Remove" may expose you to dangerous voltage points or other risks, and will void your warranty. Refer all service issues to qualified service personnel.
13. Unplug this product from the wall outlet and refer to qualified service personnel under the following conditions:
 - a. When the power cord is damaged or frayed;

- b. When liquid has spilled into the unit;
- c. When the product has been exposed to rain or water;
- d. When the product does not operate normally under normal operating conditions. Adjust only those controls that are covered by the operating instructions in this manual; improper adjustment of other controls may result in damage to the unit and may often require extensive work by a qualified technician to restore the unit to normal operation;
- e. When the product has been dropped or the cabinet has been damaged;
- f. When the product exhibits a distinct change in performance, indicating a need for service.

Warranty

Standard Warranty

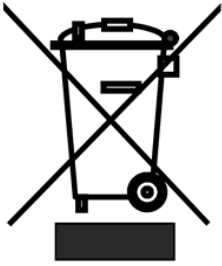
- Datavideo equipment is guaranteed against any manufacturing defects for one year from the date of purchase.
- The original purchase invoice or other documentary evidence should be supplied at the time of any request for repair under warranty.
- The product warranty period begins on the purchase date. If the purchase date is unknown, the product warranty period begins on the thirtieth day after shipment from a Datavideo office.
- All non-Datavideo manufactured products (product without Datavideo logo) have only one year warranty from the date of purchase.
- Damage caused by accident, misuse, unauthorized repairs, sand, grit or water is not covered under warranty.
- Viruses and malware infections on the computer systems are not covered under warranty.
- Any errors that are caused by unauthorized third-party software installations, which are not required by our computer systems, are not covered under warranty.
- All mail or transportation costs including insurance are at the expense of the owner.
- All other claims of any nature are not covered.
- All accessories including headphones, cables, batteries, metal parts, housing, cable reel and consumable parts are not covered under warranty.
- Warranty only valid in the country or region of purchase.
- Your statutory rights are not affected.

Three Year Warranty

- All Datavideo products purchased after July 1st, 2017 qualify for a free two years extension to the standard warranty, providing the product is registered with Datavideo **within 30** days of purchase.
- Certain parts with limited lifetime expectancy such as LCD panels, DVD drives, Hard Drive, Solid State Drive, SD Card, USB Thumb Drive, Lighting, Non-PCIe Card and third party provided PC components are covered for 1 year.
- The three-year warranty must be registered on Datavideo's official website or with your local Datavideo office or one of its authorized distributors within 30 days of purchase.



Disposal



For EU Customers only - WEEE Marking

This symbol on the product or on its packaging indicates that this product must not be disposed of with your other household waste. Instead, it is your responsibility to dispose of your waste equipment by handing it over to a designated collection point for the recycling of waste electrical and electronic equipment. The separate collection and recycling of your waste equipment at the time of disposal will help to conserve natural resources and ensure that it is recycled in a manner that protects human health and the environment. For more information about where you can drop off your waste equipment for recycling, please contact your local city office, your household waste disposal service or the shop where you purchased the product.



CE Marking is the symbol as shown on the left of this page. The letters "CE" are the abbreviation of French phrase "Conformité Européene" which literally means "European Conformity". The term initially used was "EC Mark" and it was officially replaced by "CE Marking" in the Directive 93/68/EEC in 1993. "CE Marking" is now used in all EU official documents.

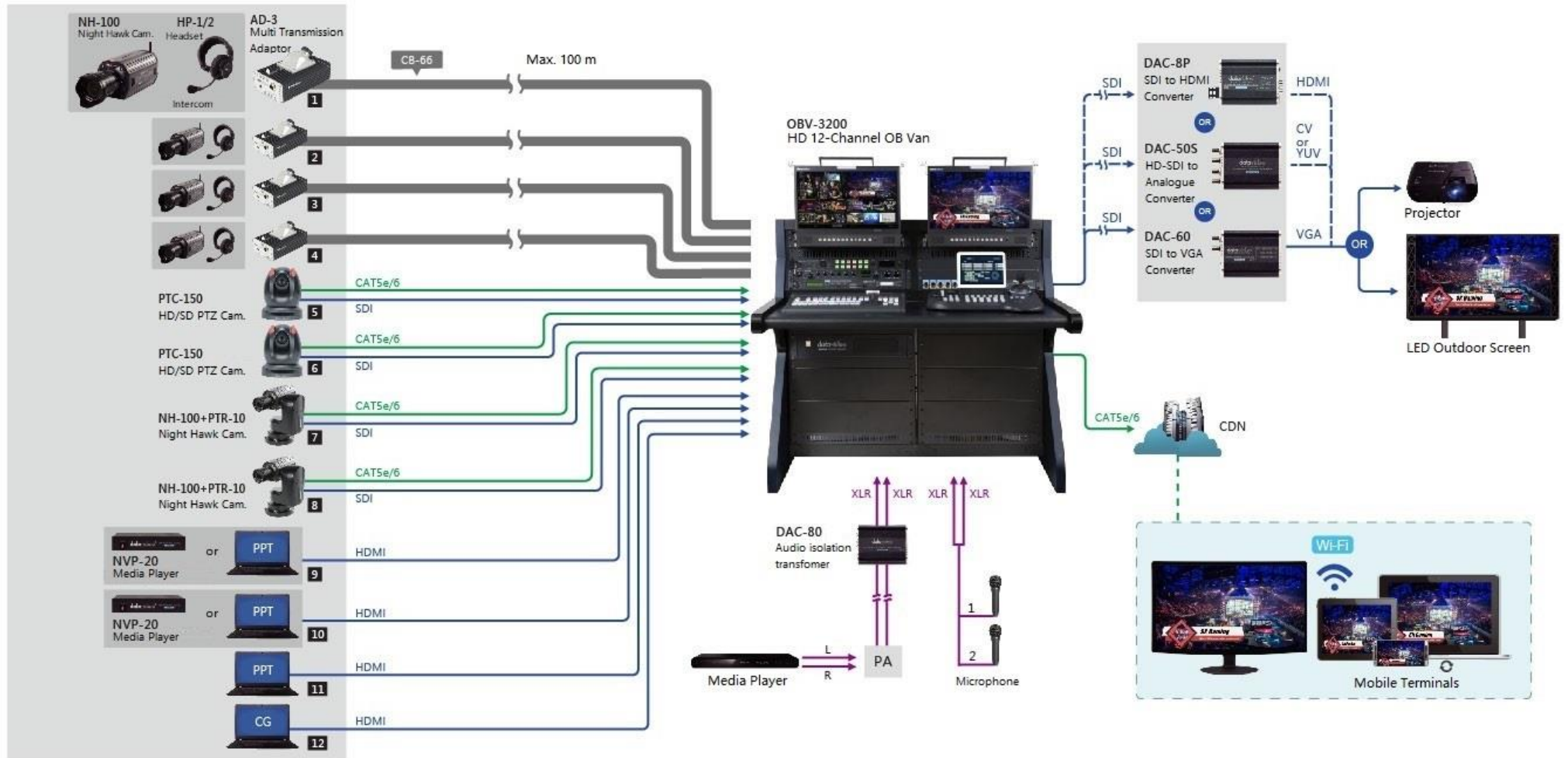
1. Introduction

Datavideo OBV-3200 is designed to fit into the back of a small van to provide complete mobile production facilities. It's a transportable solution for broadcasters and video professionals for both in-studio and on-location productions.

Built around the latest Full HD switcher, it supports up to 12 channels of 1080p Full HD-SDI and HDMI video signals. The system is integrated in a sturdy rack with a new design Console Desk for great stability and protection.

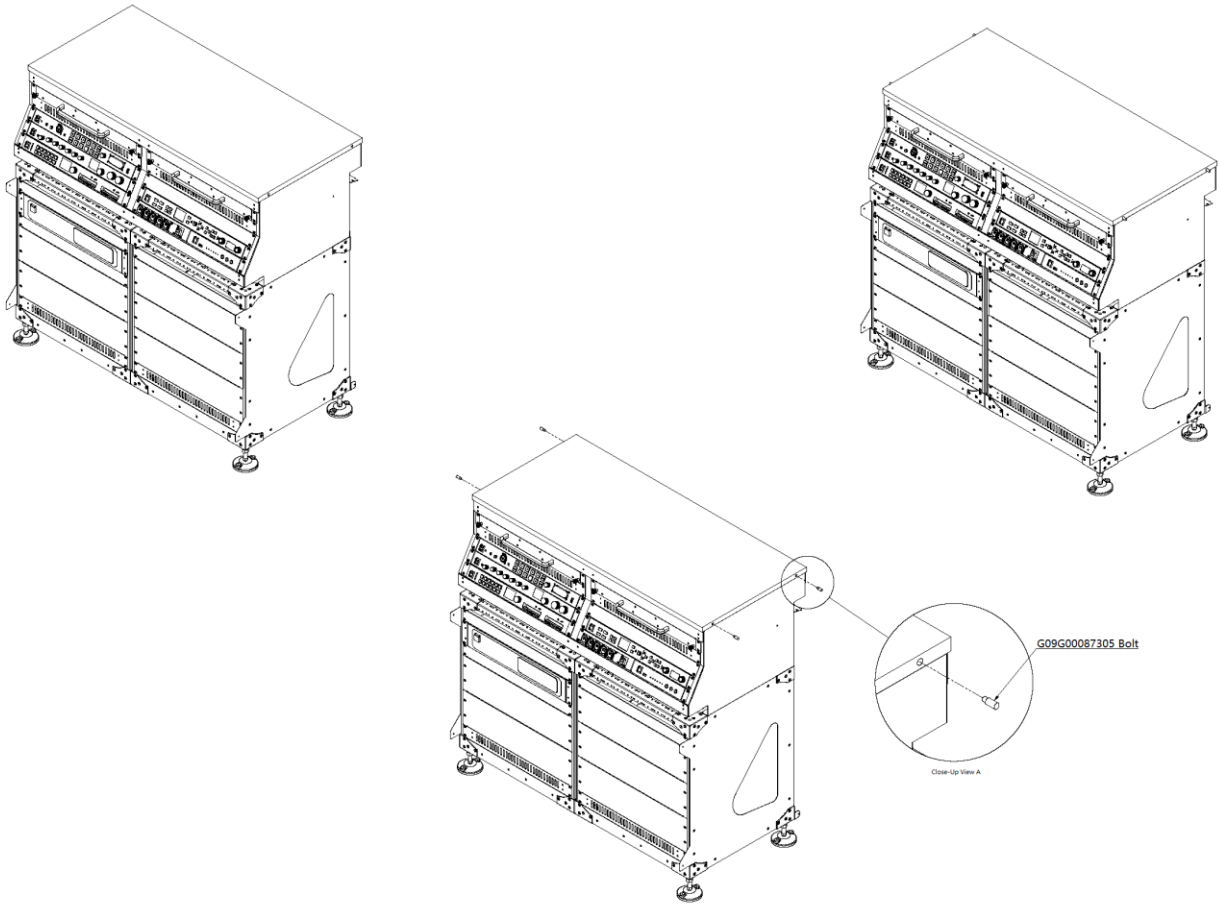
The system is fully equipped with functions such as intercom, video transmission, audio delay and scope monitor.

2. System Diagram

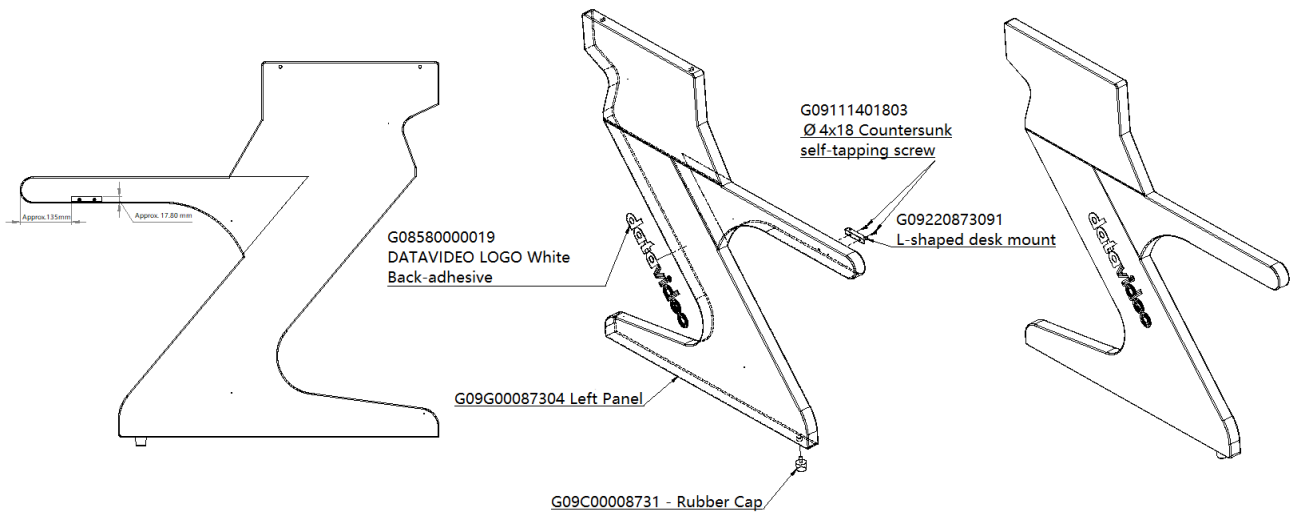


3. Outdoor Broadcast Van Assembly

I. Securing the screws

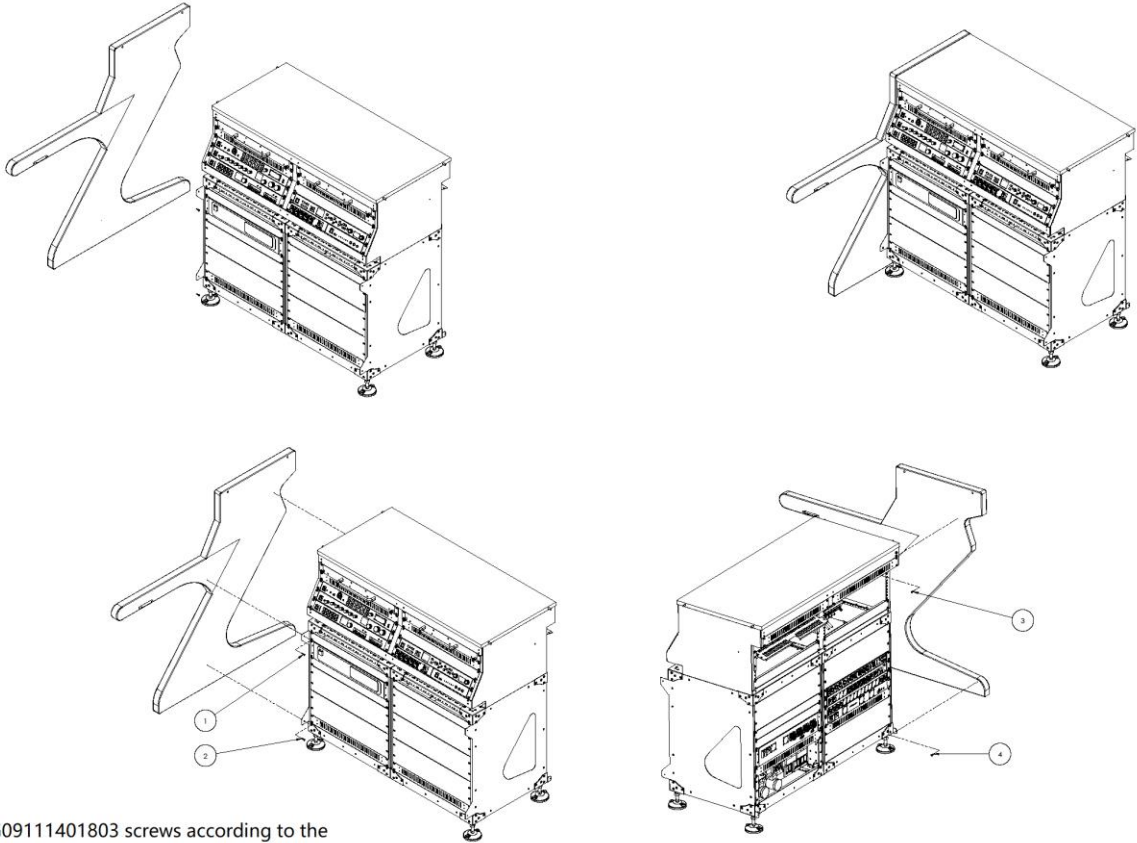


II. Left Support Stand



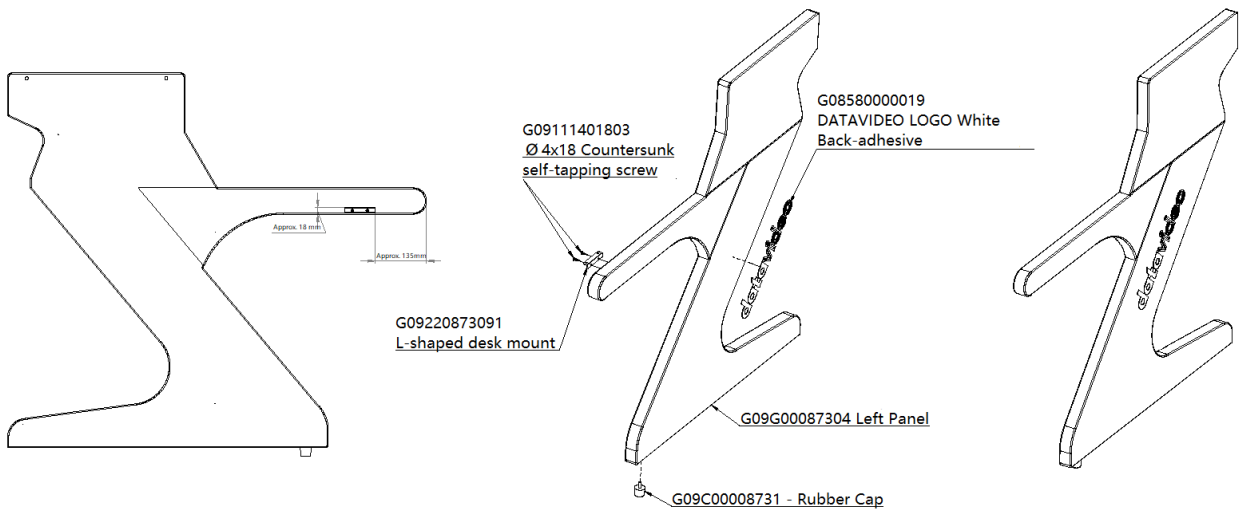
Assembling the Left Support Stand

III. Affixing the Left Support Stand



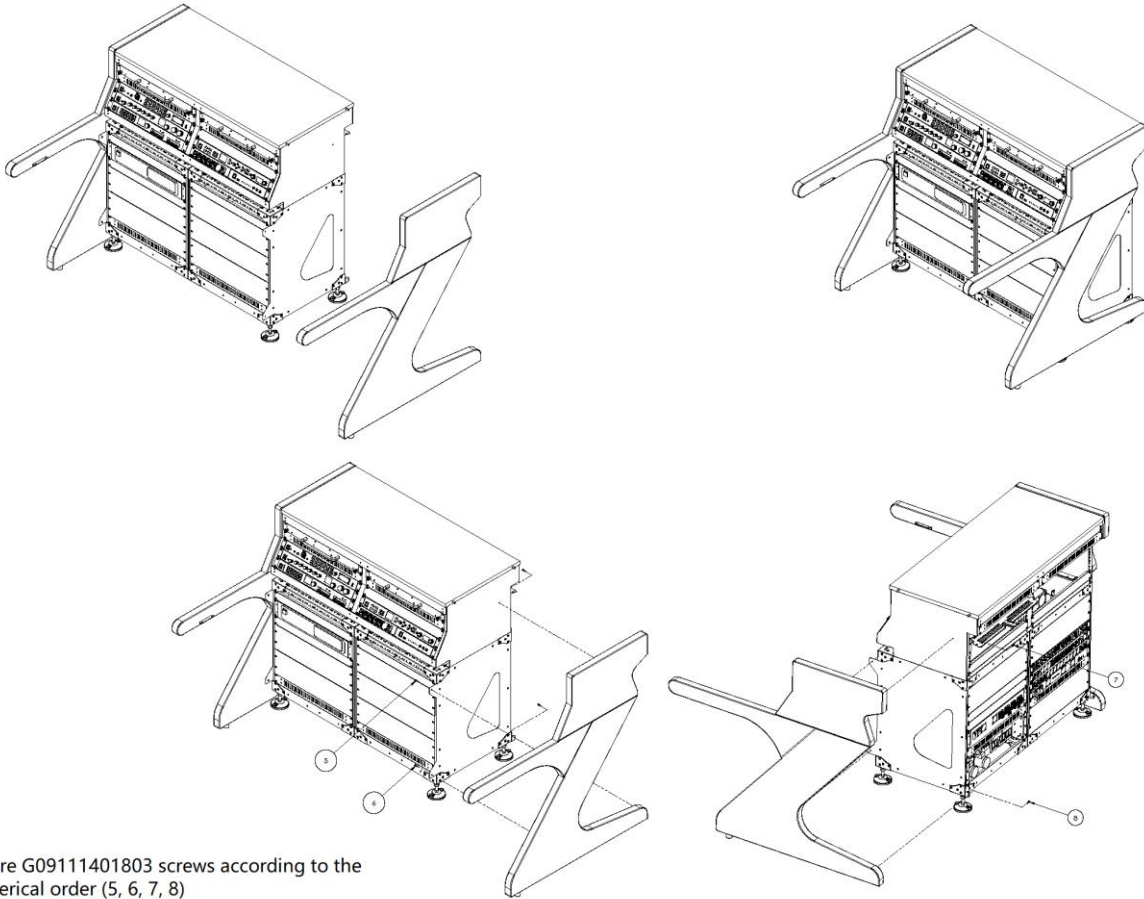
Secure G09111401803 screws according to the numerical order (1, 2, 3, 4)

IV. Right Support Stand



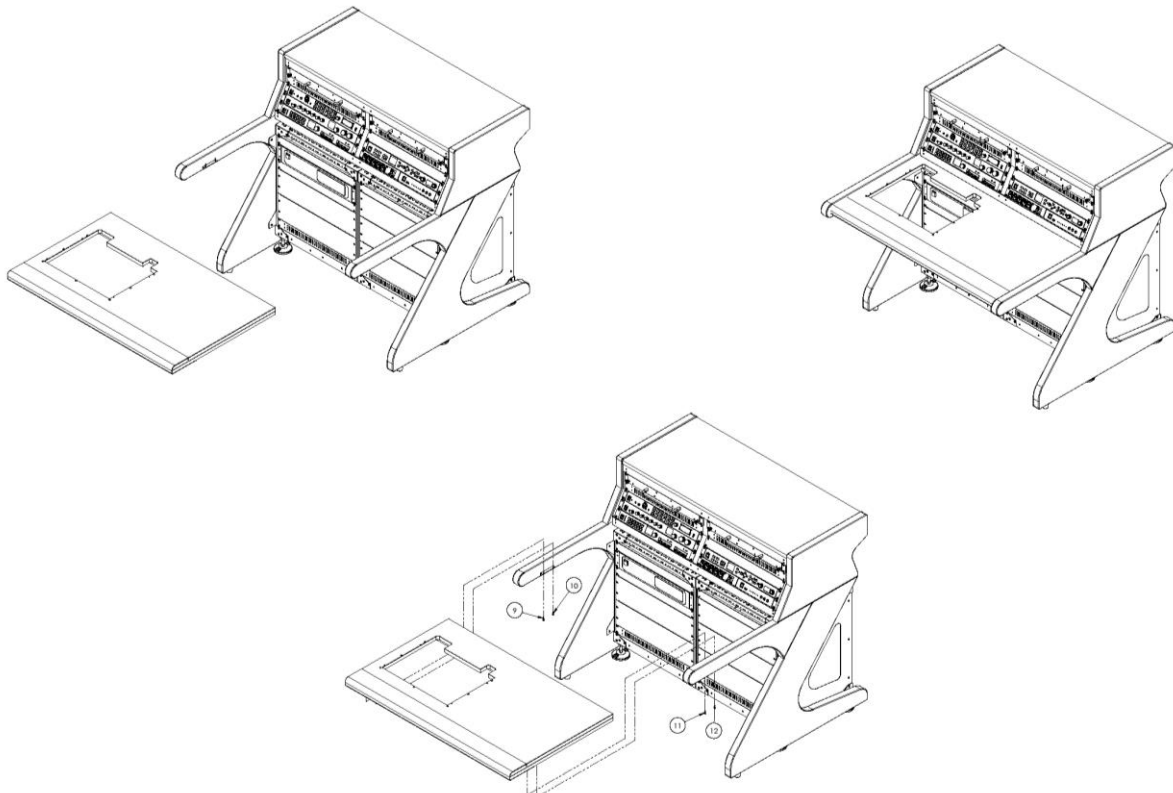
Assembling the Right Support Stand

V. Affixing the Right Support Stand



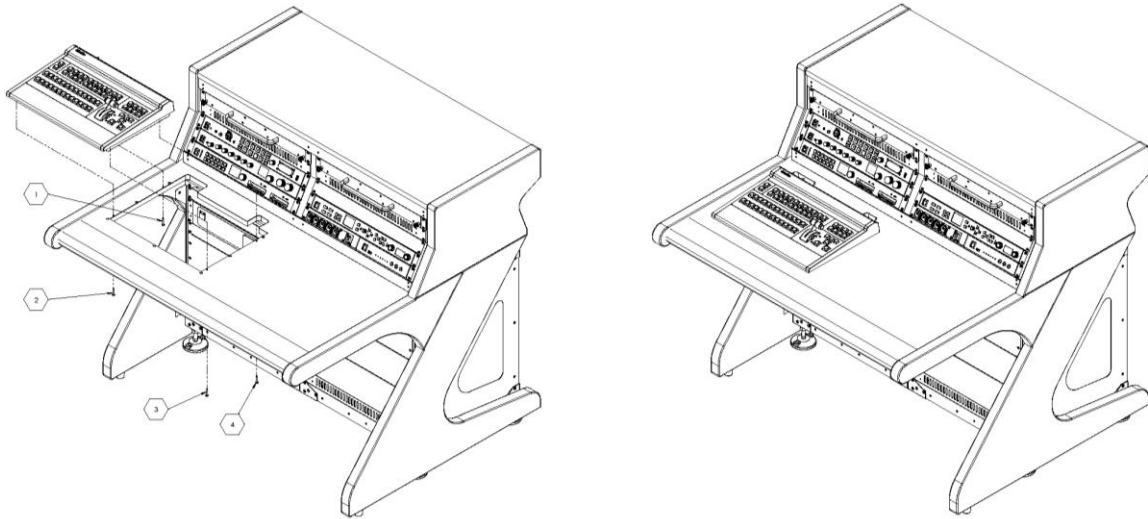
Secure G09111401803 screws according to the numerical order (5, 6, 7, 8)

VI. Mounting the Desktop



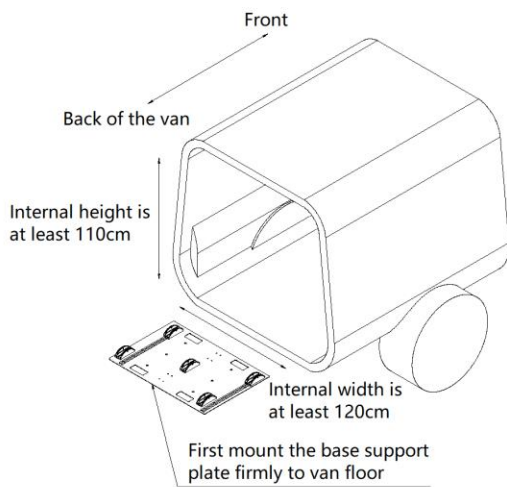
Secure G09111401803 screws according to the numerical order (9, 10, 11, 12)

VII. Inserting the Control Keyboard

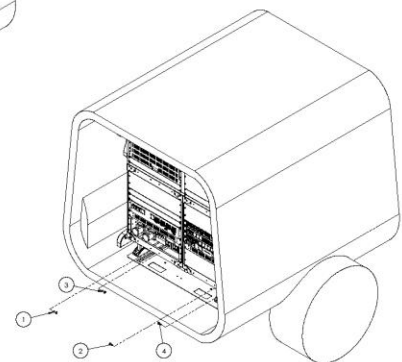
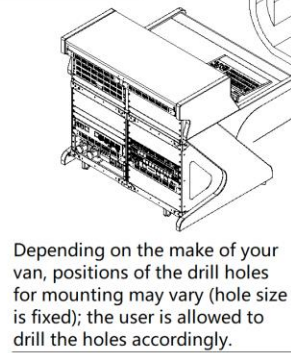


Secure G0911D402503 screws according to the numerical order (1, 2, 3, 4)

VIII. Into the Van



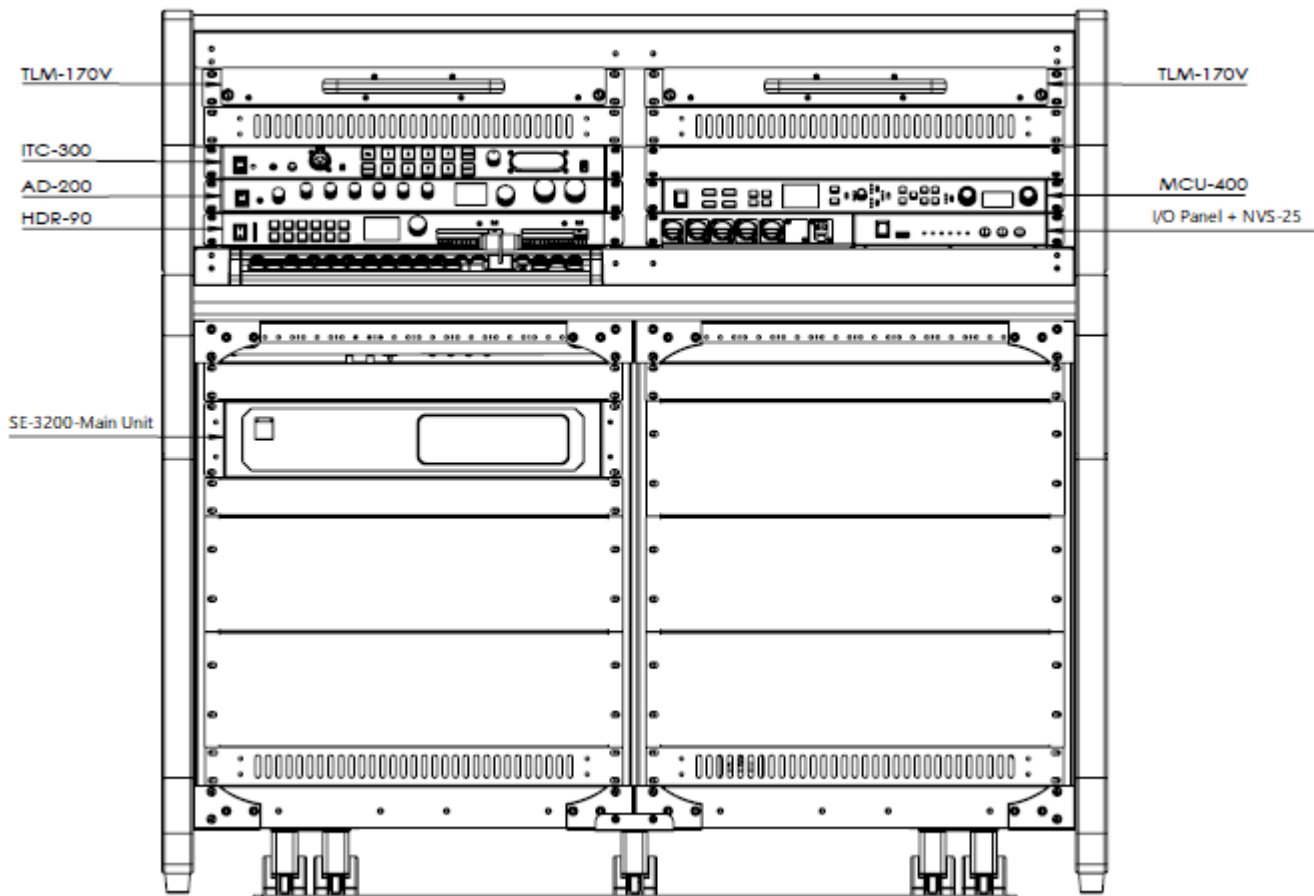
Note that the van's internal height and width are 110 cm and 120 cm respectively.



Secure G09119802002 screws to the base support plate according to the numerical order (1, 2, 3, 4)

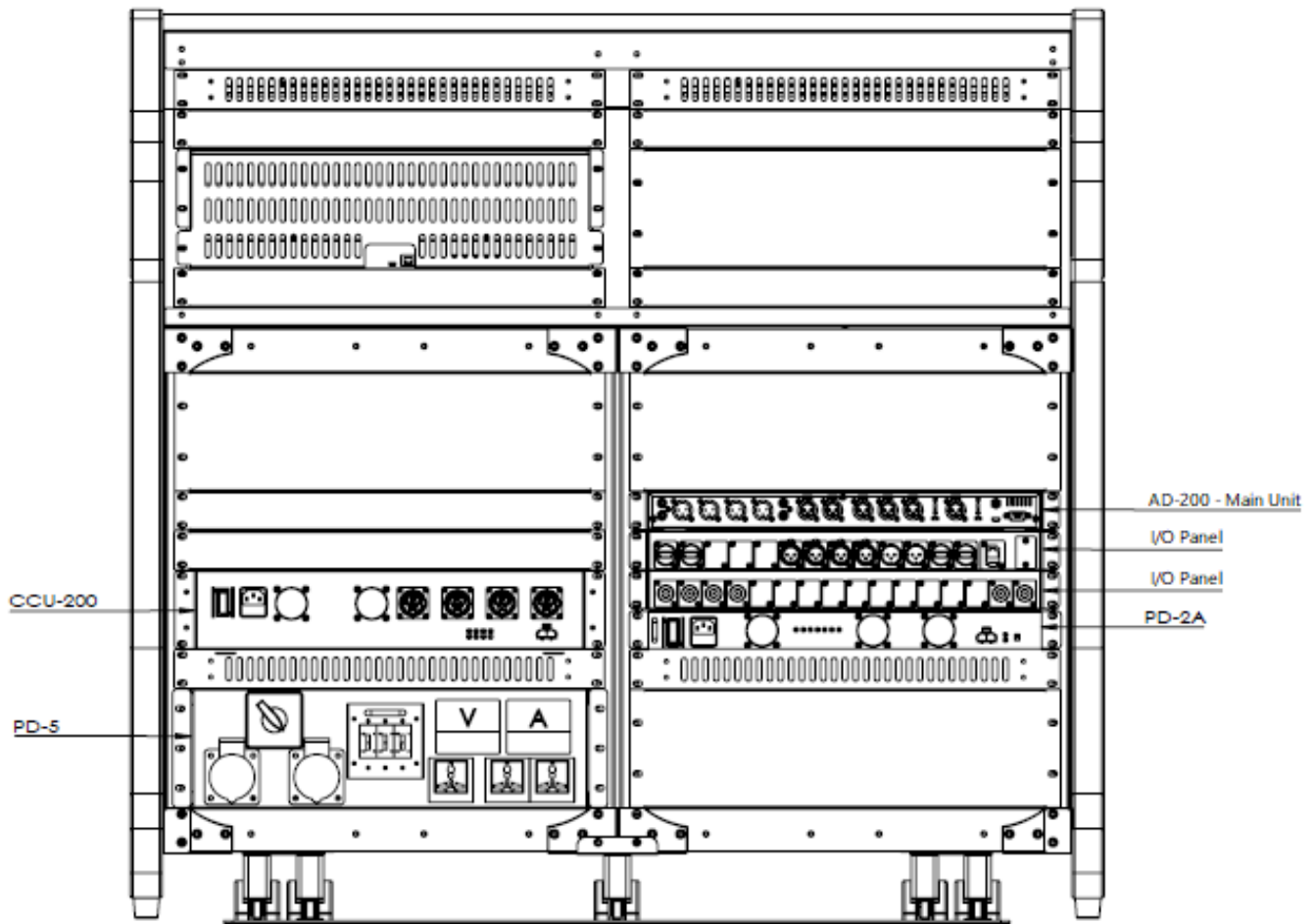
4. Front View

Please see manuals of individual devices for instructions on how to operate.



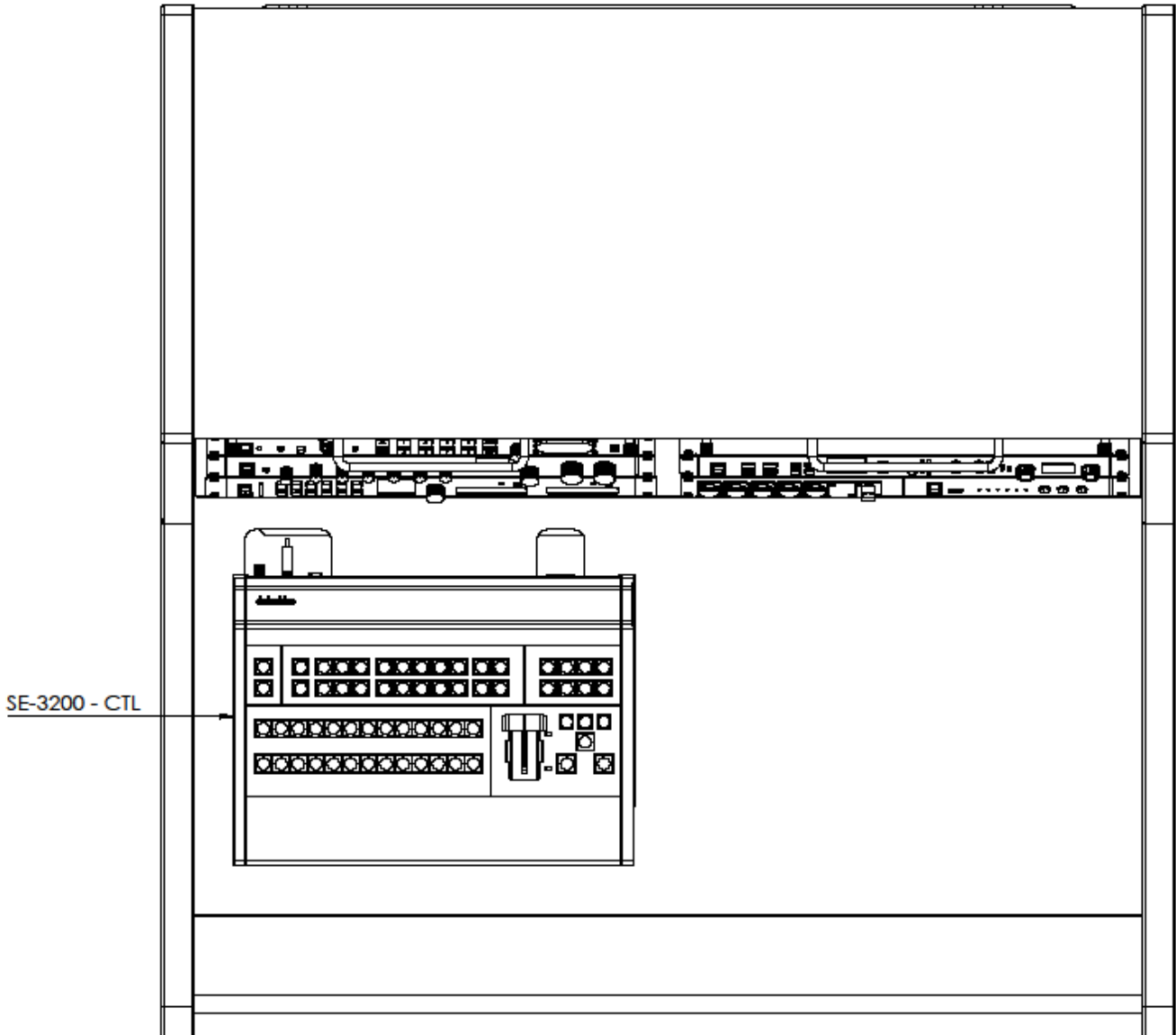
Device Model and Name	Product Descriptions
TLM-170V 17"ScopeView Production Monitor (2 Units)	The TLM-170V is a 17.3" monitor featuring 1920 x 1080 full HD resolutions. The TLM-170V integrates various built-in functions such as waveform, vector scope and SDI/HDMI cross converter.
ITC-300 Digital Intercom System	The ITC-300 is an 8-channel single wired communication system, featuring power over Ethernet to 8 belt packs.
AD-200 Audio Delay Box with Level Adjustment	Knobs for audio adjustment of each input.
HDR-90 ProRes Video Recorder – 1U Rackmountable	Records video program to a removable hard drive.
SE-3200 HD 12 Channel Digital Video Switcher – Main Unit	The SE-3200's power switch
MCU-400 Multi-Camera Control Unit	Remote control of the cameras connected to the OB Van
I/O Panel	Monitor 1's HDMI input 2 / Switcher's HDMI input 9 – 12 for connecting cameras / Stream output port
NVS-25 H.264 Video Streaming Server	From any HDMI / SDI / CVBS input source such as a camera or switcher, NVS-25 generates an H.264 encoded stream compliant with RTSP / RTMP / HLS protocols.

5. Rear View



Device Model and Name	Product Descriptions
CCU-200 Camera Control Unit	For connecting camera videos and control signals
PD-5 AC Power Distributor	Supplies the CCU-200 power
AD-200 Audio Delay Box with Level Adjustment – Main Unit	RCA and XLR Balanced audio I/O ports
I/O Panel	Monitor 2's HDMI input 1 – 2 / Switcher's audio input 1 – 4 / Switcher's audio output 1 – 2 / Switcher's HDMI output 2 – 3 / Switcher's LAN port
I/O Panel	Switcher's camera input port 5 – 8 / Switcher's SDI output 5 – 6
PD-2A Power Center	One AC input and one DC input with eight DC 12V outputs.

6. Desktop



Device Model and Name	Product Descriptions
SE-3200 HD 12 Channel Digital Video Switcher – Control Keyboard	The control keyboard allows video switching and video effect application.
Multi-Camera IP Controller (Optional)	Multi-camera IP controller (tablet) runs on Android or iOS thus capable of maneuvering up to 24 Datavideo cameras.

7. Cable Reel

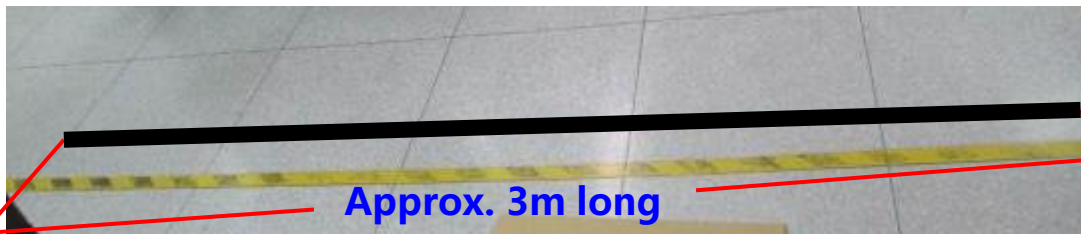
1. Place an empty cable reel on a flat surface.



Pull the lever to the brake position in order to immobilize the cable reel.

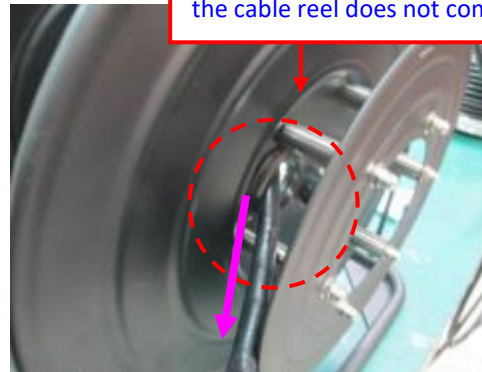
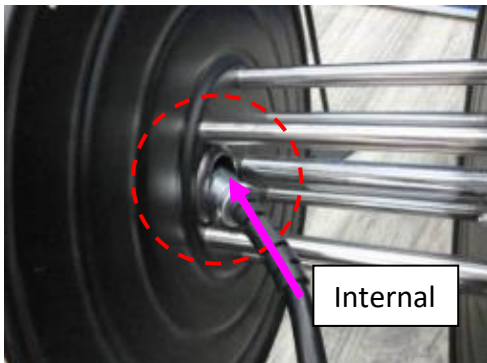


2. Straighten out the cable which is approximately 3 meters long as shown in the diagram below:

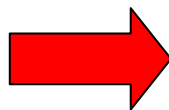


3. Grab one end of the cable and push it through the center hole.

Make sure the protective rubber ring of the cable reel does not come off.



4. Coil one end of the 3-meter cable around the external cable drum in clockwise direction



After the cable has been properly coiled, firmly attach the connector to one side of the cable reel.

5. Coil another end of the 3-meter cable around the internal cable drum accordingly; make sure the coiling is firm and avoid overlapping.



6. After the cable is fully coiled, the two ends are wrapped with air bubble bags then insert velcros through the corresponding cable drum holes in order to attach the cable ends to either side of the cable reel.



7. Complete as shown in the diagram below:



Service & Support

It is our goal to make owning and using Datavideo products a satisfying experience. Our support staff is available to assist you to set up and operate your system. Contact your local office for specific support requests. Plus, please visit www.datavideo.com to access our FAQ section.

China Shanghai
Datavideo Technologies China Co
601, Building 10, No. 1228,
Rd. Jiangchang,
Jingan District, Shanghai
Tel: +86 21-5603 6599
Fax: +86 21-5603 6770
E-mail: service@datavideo.cn

China Beijing
Datavideo Technologies China Co
No. 812, Building B, Wankai Center,
No. 316, Wan Feng Road, Fengtai District,
Beijing, China
Tel: +86 10-8586 9034
Fax: +86 10-8586 9074
E-mail: service@datavideo.cn

China Chengdu
Datavideo Technologies China Co
B-823, Meinian square, No. 1388,
Middle of Tianfu Avenue, Gaoxin District,
Chengdu, Sichuan
Tel: +86 28-8613 7786
Fax: +86 28-8513 6486
E-mail: service@datavideo.cn

China Fuzhou
Datavideo Technologies China Co
A1-2318-19 Room, No. 8, Aojiang Road,
Taijiang District, Fuzhou, Fujian, China
Tel: 0591-83211756 · 0591-83210187
Fax: 0591-83211262
E-mail: service@datavideo.cn

China Jinan
Datavideo Technologies China Co
902, No. 1 business building,
Xiangtai Square, No. 129,
Yingxiongshan Road, Shizhong District,
Jinan City, Shandong Province, China
Tel: +86 531-8607 8813
E-mail: service@datavideo.cn

Hong Kong
Datavideo Hong Kong Ltd
G/F., 26 Cross Lane
Wanchai, Hong Kong
Tel: +852-2833-1981
Fax: +852-2833-9916
E-mail: info@datavideo.com.hk

India Noida
Datavideo India Noida
A-132, Sec-63, Noida-201307,
India
Tel: +91-0120-2427337
Fax: +91-0120-2427338
E-mail: sales@datavideo.in

India Kochi
Datavideo India Kochi
2nd Floor- North Wing, Govardhan Building,
Opp. NCC Group Headquarters, Chittoor Road,
Cochin- 682035
Tel: +91 4844-025336
Fax: +91 4844-047696
E-mail: sales@datavideo.in

Netherlands
Datavideo Technologies Europe BV
Floridadreef 106
3565 AM Utrecht,
The Netherlands
Tel: +31-30-261-96-56
Fax: +31-30-261-96-57
E-mail: info@datavideo.nl

Singapore
Datavideo Visual Technology(S) Pte Ltd
No. 178 Paya Lebar Road #06-07
Singapore 409030
Tel: +65-6749 6866
Fax: +65-6749 3266
E-mail: info@datavideovirtualset.com

Singapore
Datavideo Technologies (S) PTE Ltd
No. 178 Paya Lebar Road #06-03
Singapore 409030
Tel: +65-6749 6866
Fax: +65-6749 3266
E-mail: sales@datavideo.sg

Taiwan
Datavideo Technologies Co. Ltd
10F. No. 176, Jian 1st Rd., Chung Ho
District, New Taipei City 235, Taiwan
Tel: +886-2-8227-2888
Fax: +886-2-8227-2777
E-mail: service@datavideo.com.tw

United States
Datavideo Corporation
7048 Elmer Avenue,
Whittier, CA 90602,
U.S.A.
Tel: +1-562-696 2324
Fax: +1-562-698 6930
E-mail: sales@datavideo.com

United Kingdom
Datavideo UK Limited
Brookfield House, Brookfield Industrial
Estate, Peakdale Road, Glossop,
Derbyshire, SK13 6LQ
Tel: +44-1457 851 000
Fax: +44-1457 850 964
E-mail: sales@datavideo.co.uk

France
Datavideo France s.a.r.l.
Cit  Descartes 1, rue Albert Einstein
Champs sur Marne 774477 –
Marne la Vall e cedex 2
Tel: +33-1-60370246
Fax: +33-1-60376732
E-mail: info@datavideo.fr



Please visit our website for latest manual update.

www.datavideo.com/product/OBV-3200

datavideo
www.datavideo.com